

# Water filling units



**GVI water filling unit "triangle"**

This water filling unit is developed for mobile bench systems, where a crane lift or lower the benches to transport them around in the greenhouse. The water filling unit will, caused by the spring band steel bracket, change position when you lift or lower the bench and it will always go back to the original position.



**GVI water filling unit PVC**

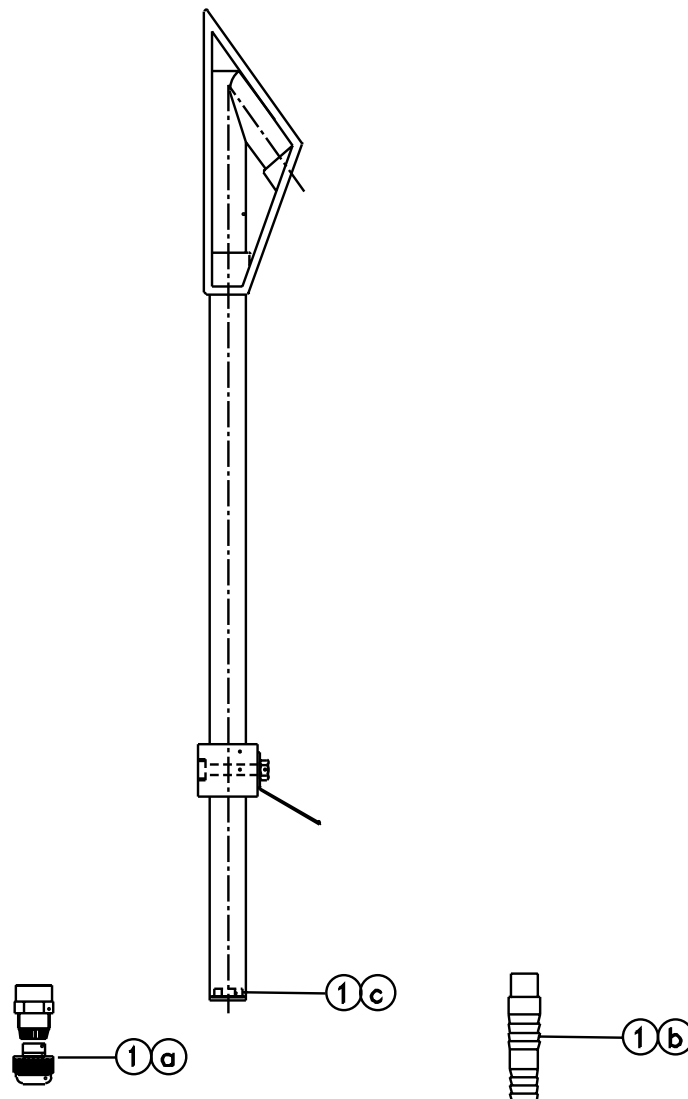
The PVC water filling unit is developed for mobile bench systems, where you do not lift or lower the benches, but roll them around in the greenhouse. This water filling unit is also mounted with a spring band steel bracket, which always will make sure that the unit is in the right position.

# Water filling units

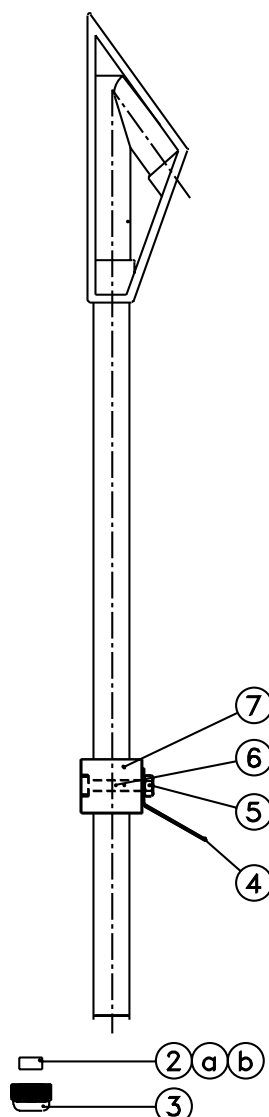
GVI water filling unit "triangle"  
Complete with mounting kit for drain gutter

Available with 3 connection possibilities:

- Item no.: 0250200 - 1a Connection branch for 8x10,5 and 10x12,5  
0250210 - 1b Hose branch 1/2"  
0250220 - 1c Mounting bush for 6x8 and 8x10,5 hose



# Spareparts



Description			Dimension	Item no.
07	1	Pipe holder	20 mm	0250117
06	2	Machine screw	M6x35	1900007
05	2	Nut	M6	1900134
04	1	Spring band steel bracket	angle	5000020
03	1	Union nut	Black	0760706
02a	1	Branch gasket	6x8	0760708
02b	1	Branch gasket	8x10,5 , 10x12,5	0760707
*	1	Water filling unit "triangle"	Conn. branch	0250250
*	1	Water filling unit "triangle"	1/2" hose branch	0250260
*	1	Water filling unit "triangle"	Mounting bush	0250270

\* Complete water filling unit "triangle" without mounting kit for drain gutter

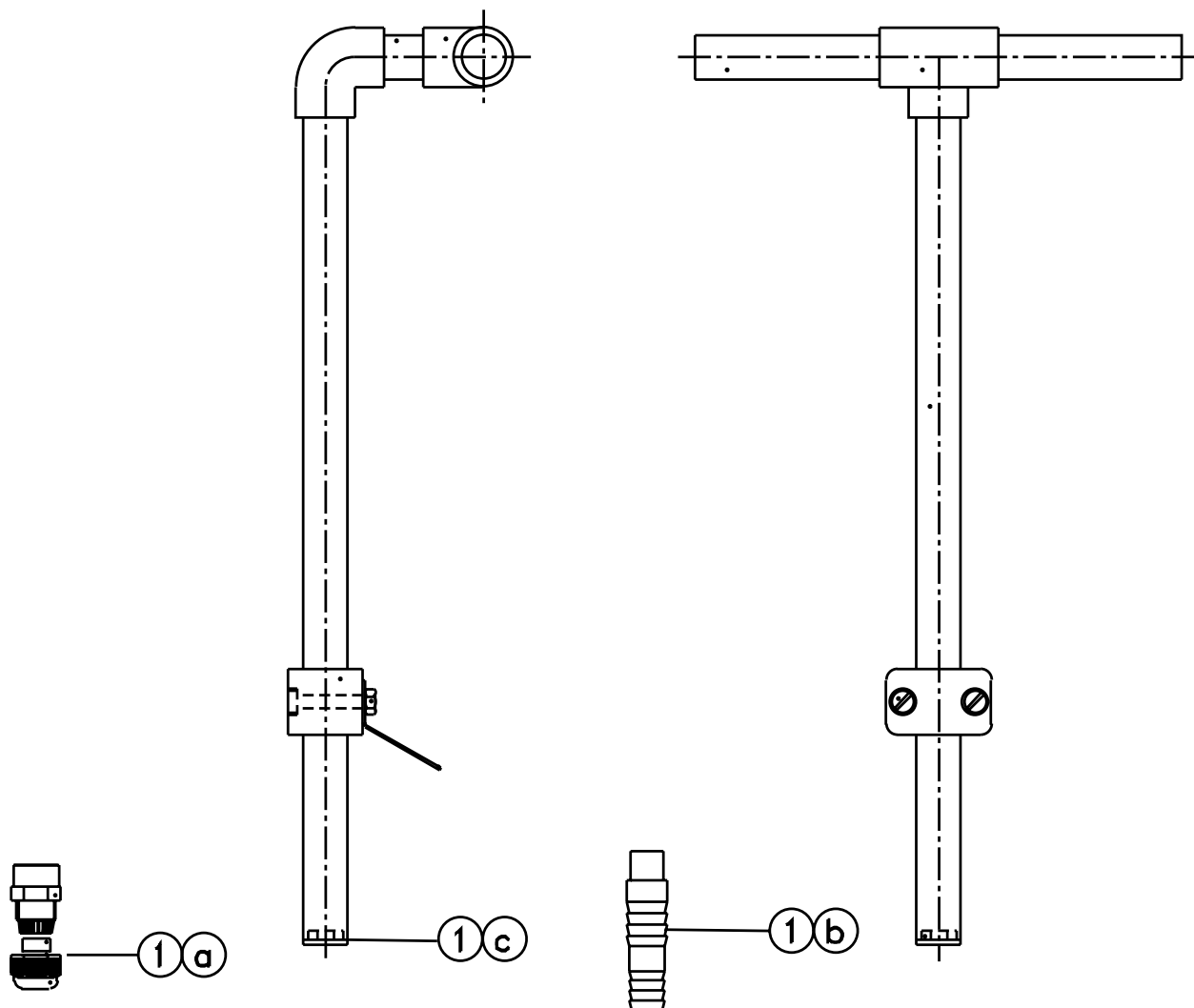
# Water filling unit

GVI water filling unit PVC

Complete with mounting kit for drain gutter

Available with 3 connection possibilities:

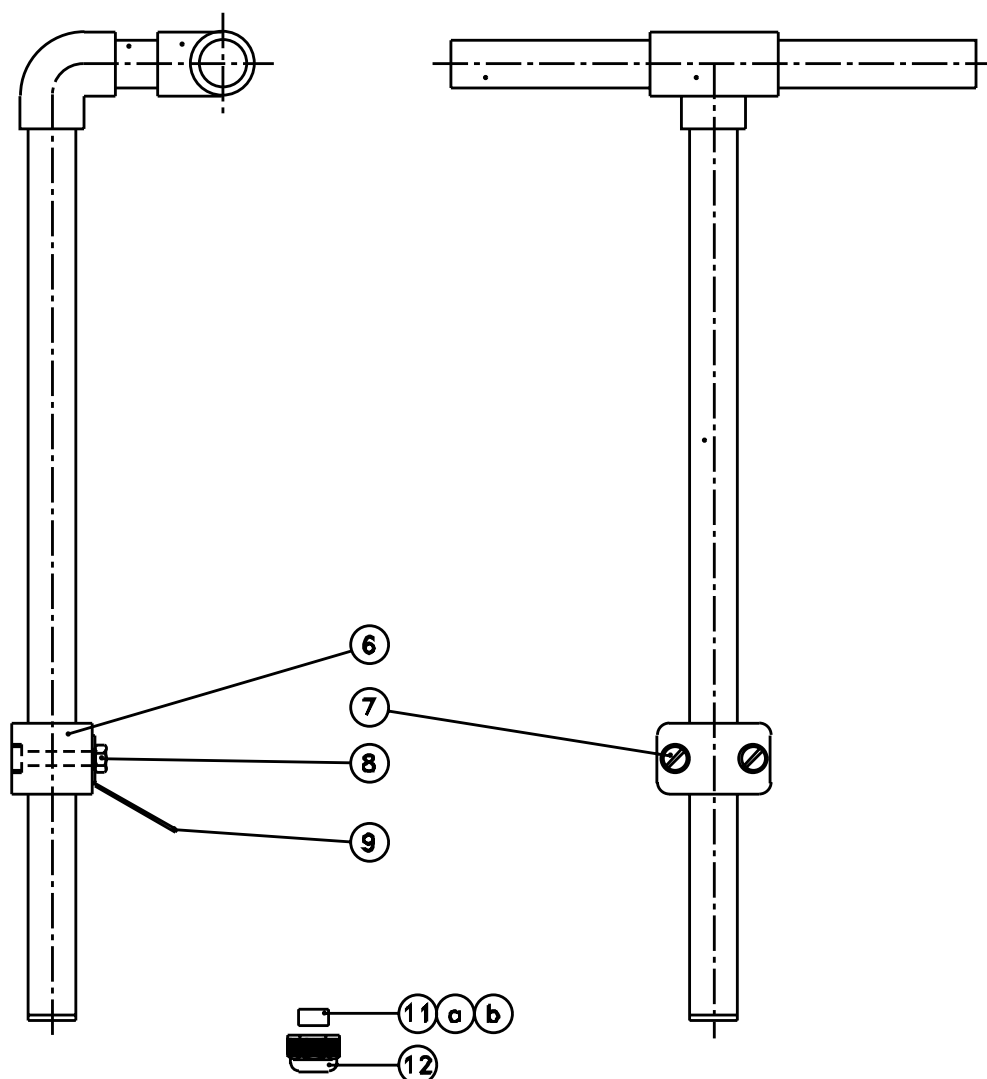
- Item no.: 0250300 - 1a Connection branch for 8x10,5 and 10x12,5  
0250310 - 1b Hose branch 1/2"  
0250320 - 1c Mounting bush for 6x8 and 8x10,5 hose



**AV**system

A part of Danvan Group

# Spareparts



Description			Dimension	Item no.
12	1	Union nut	Black	0760706
11b	1	Branch gasket	8x10,5 , 10x12,5	0760707
11a	1	Branch gasket	6x8	0760708
09	1	Spring band steel bracket	angle	5000020
08	2	Nut	M6	1900134
07	2	Machine screw	M6x35	1900007
06	1	Pipe holder	20 mm	0250117
*	1	Water filling unit "PVC"	Conn. branch	0250350
*	1	Water filling unit "PVC"	1/2" hose branch	0250360
*	1	Water filling unit "PVC"	Mounting bush	0250370

\* Complete water filling unit "triangle" without mounting kit for drain gutter