

Overflow Valve



Overflow Valve

Overflow Valve for recirculating systems

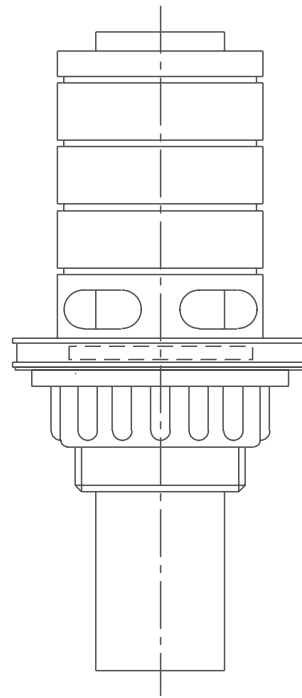
The Overflow Valve is developed for recirculating systems, where a certain waterlevel is needed on tables or troughs.

You can raise or lower the waterlevel by adjusting the 20 mm PVC pipe, which is placed in the valve.

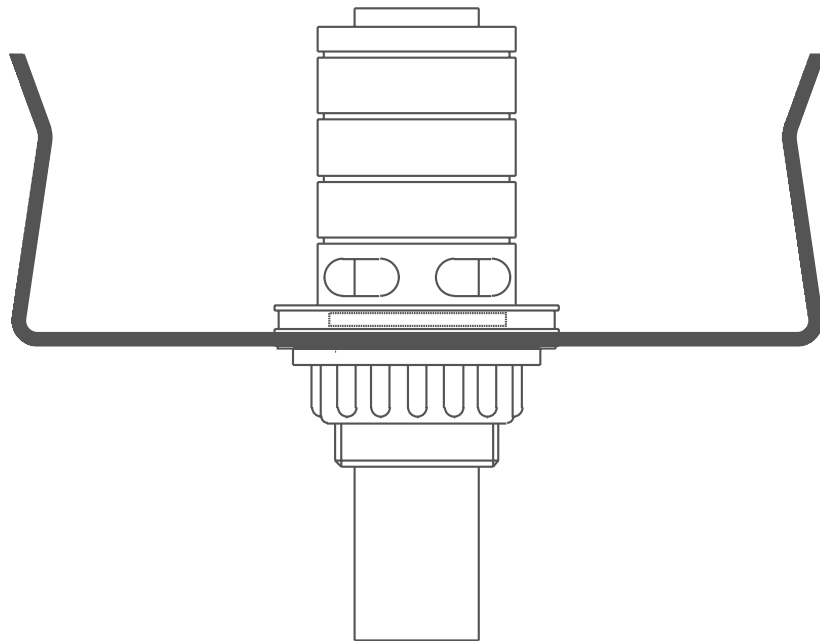
Overflow Valve

Item no.: 0750950

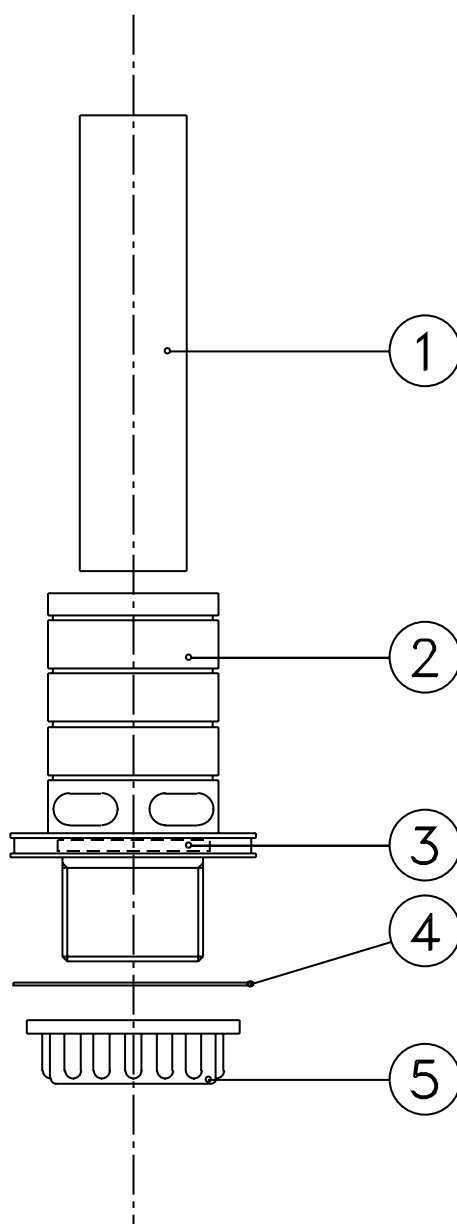
Overflow Valve



Installation:



Spareparts



| Description | | | Dimension | Item no. |
|-------------|---|----------------|-----------|----------|
| 05 | 1 | Union nut | | 0760830 |
| 04 | 1 | Flat gasket | | 0760805 |
| 03 | 1 | O-ring | | 0760810 |
| 02 | 1 | Table duct | | 0760840 |
| 01 | 1 | PVC pipe black | 20 mm | 0400200 |