

Micro Fertilizer Mixer



Micro 200

Simple, safe and reliable

The Micro 200 has been developed as a cost effective, easy to use fertilizer mixer. It is aimed at the grower who wants to take the first step towards reliable, automatic control of the EC and pH of his fertilizer injection. The Micro 200 offers both accuracy and reliability, usually only found with more sophisticated, higher priced controllers.



The 4-point EC sensor ensures accuracy and reliability for measurement and control. The EC sensor is made of PVC and acidproof stainless steel which is easy to clean.

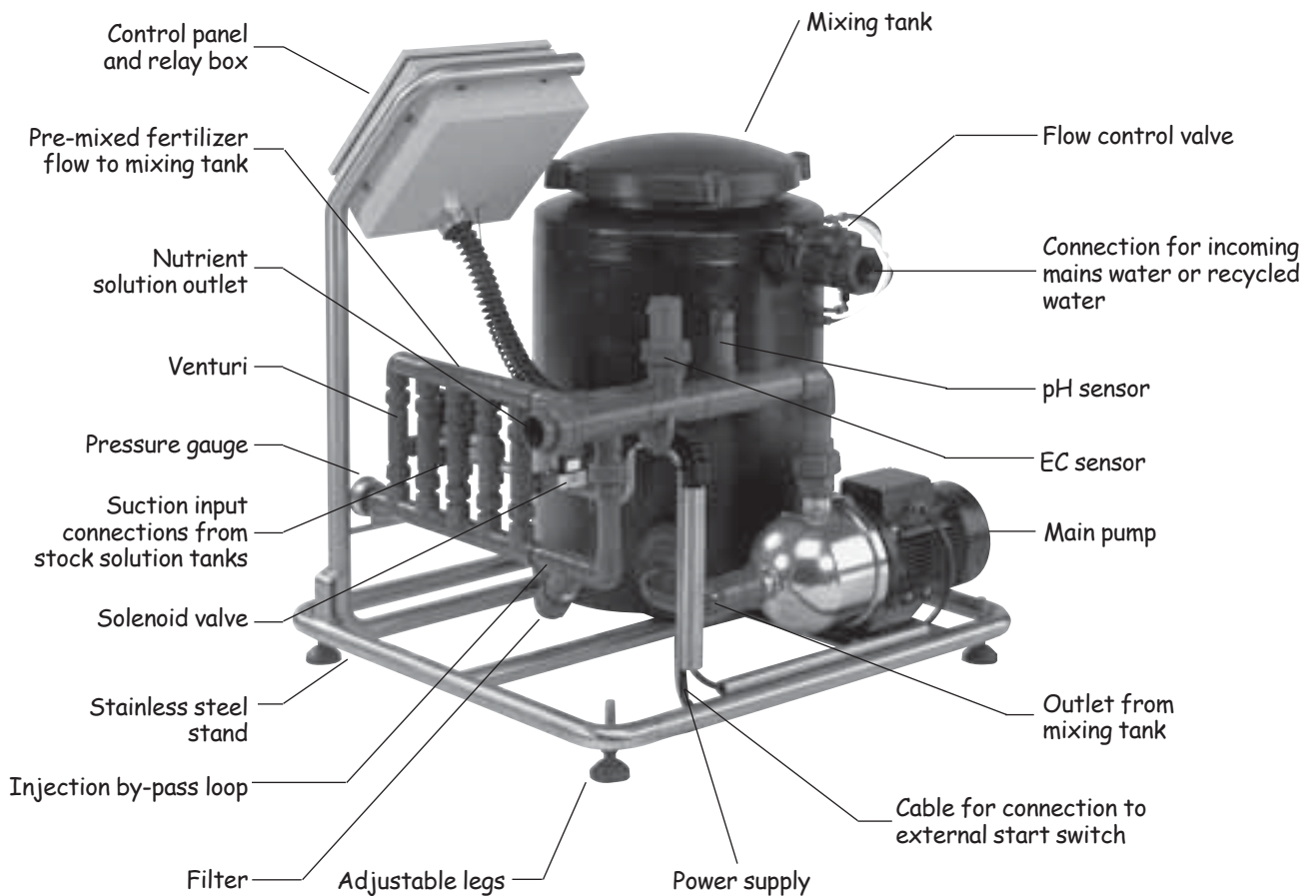
Micro 200 incorporates the following features:

- Easy operation
- Automatic EC and pH control
- Accurate dosing of fertilizer solutions through reliable maintenance free venturi valves
- Full high / low alarm functions on both EC and pH
- Handles 4 stock tank solutions plus acid
- 2 Fertilizer recipes
- Attractive and solid stainless steel construction
- Will connect to any existing irrigation controller
- Connects easily to recirculation systems



The simple, user friendly control panel and illuminated display makes set point entry easy.

Technical specifications:



Dimensions:

- Length: 940 mm
 - Height: 1000 mm
 - Depth: 850 mm
 - Weight: 55 kg
- (Depends on the pump type)

Power supply:

- 3 x 380V - 50 Hz - 16 A
- Other voltages and Hz values available

Capacity:

- 4 - 30 m³/hour
- Working pressure: 2-5 bar

Full electronic inputs:

- EC measuring: 0 - 4 mS
- 4-point EC sensor with temperature compensation
- pH-measuring: 4,0 - 9,9

Full electronic outputs:

- 1 Main pump
- 4 Dosing valves for EC
- Dosing valve for pH
- Alarm

Output:

- 1 External pump

Starting possibilities:

- Manual
- Pressure switch
- Irrigation controller
- Timer

Data:

- Digital output of all values
- Built-in alarm
- Illuminated display
- Automatic re-setting after power failure

Options:

- pH reading/control
- pH program for base
- Flow sensor
- Flow regulation
- Raw water dosing
- Solar integrator

